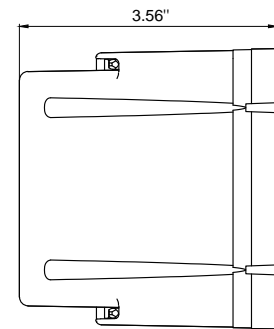
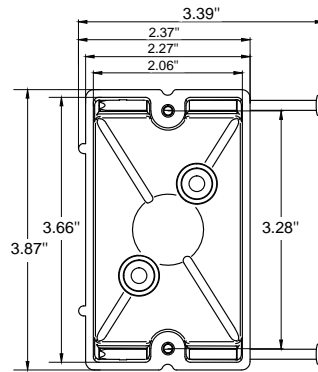
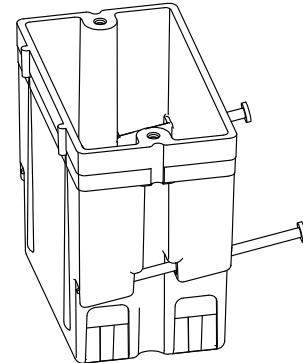
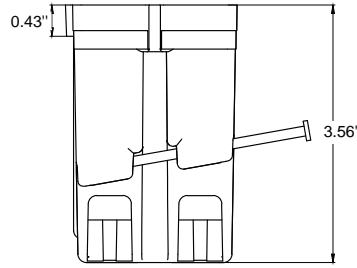




FIBER GLASS OUTLET BOX



One-Gang

Part No.	Cubic Capacity	Description	Size L×W×D
LIC-F1G	22.5 cu in	This 1-Gang 22.5 cu. in. Switch or Receptacle Box is suitable for use in New Work applications. Also it's easily mounted with nail on - angled mid nails which are pre set on the box. This premium box features fiberglass construction, is ETL listed and carries a 2-hour fire rating.	2-1/4"×3-27/32"×3-9/16"

Fire Resistance Classification in Wall Assemblies 2-Hours or less

Shall be separated by a horizontal distance of not less than 3 inches

Fire Resistance Classification in Floor-Ceiling Assemblies 2-Hours or Less

Distance between boxes in adjacent cavities may be reduced to 5-1/2 inches

Features & Benefits

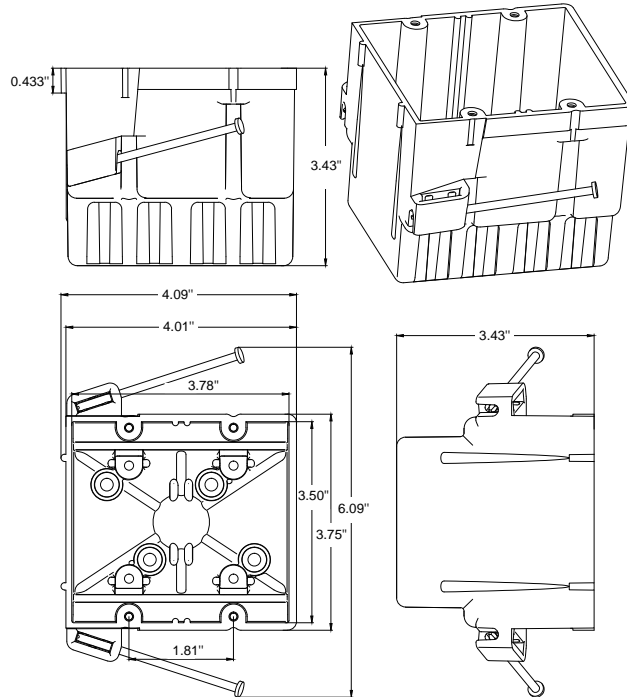
- Knockouts on fiberglass boxes are complete, reducing drafts and easily removed with wire for no tools installation
- Device holes are pre-tapped and tapered for secure device installation and drastically reduce device pull out
- Fiberglass boxes feature factory installed Speed Klamps to provide a secure hold on installed wiring
- Mounted with angled mid nails
- Offset gauge marks on the box give positive stop for the proper wall thickness
- Leveling ribs position the face of the box parallel to the wall surface
- High Strength Fiberglass Reinforced Polyester Material
- Non-distorting in high heat, impact resistant in cold temps
- Machine tapped device holes for faster installation
- ETL Listed

Packing:

60 PCS / CTN (1.39 CUFT)



FIBER GLASS OUTLET BOX



Two-Gang

Part No.	Cubic Capacity	Description	Size L×W×D
LIC-F2G	37 cu in	This 2-Gang 37 cu. in. Switch or Receptacle Box is suitable for use in New Work applications. Also it's easily mounted with nail on - angled mid nails which are pre set on the box. This premium box features fiberglass construction, is ETL listed and carries a 2-hour fire rating.	4"×3-3/4"×3-7/16"

Fire Resistance Classification in Wall Assemblies 2-Hours or less

Shall be separated by a horizontal distance of not less than 3 inches

Features & Benefits

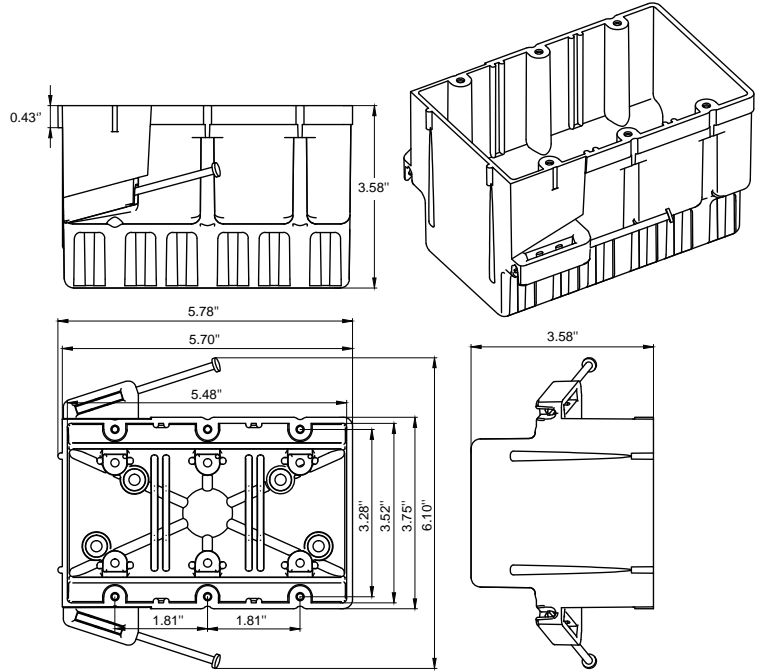
- Knockouts on fiberglass boxes are complete, reducing drafts and easily removed with wire for no tools installation
- Device holes are pre-tapped and tapered for secure device installation and drastically reduce device pull out
- Fiberglass boxes feature factory installed Speed Klamps to provide a secure hold on installed wiring
- Mounted with angled mid nails
- Offset gauge marks on the box give positive stop for the proper wall thickness
- Leveling ribs position the face of the box parallel to the wall surface
- High Strength Fiberglass Reinforced Polyester Material
- Non-distorting in high heat, impact resistant in cold temps
- Machine tapped device holes for faster installation
- ETL Listed

Packing:

60 PCS / CTN (2.839 CUFT)



FIBER GLASS OUTLET BOX



Three-Gang

Part No.	Cubic Capacity	Description	Size L×W×D
LIC-F3G	56.5 cu in	This 3-Gang 56.5 cu. in. Switch or Receptacle Box is suitable for use in New Work applications. Also it's easily mounted with nail on - angled mid nails which are pre set on the box. This premium box features fiberglass construction, is ETL listed and carries a 2-hour fire rating.	5-11/16"×3-3/4"×3-9/16"

Fire Resistance Classification in Wall Assemblies 2-Hours or less

Shall be separated by a horizontal distance of not less than 3 inches

Features & Benefits

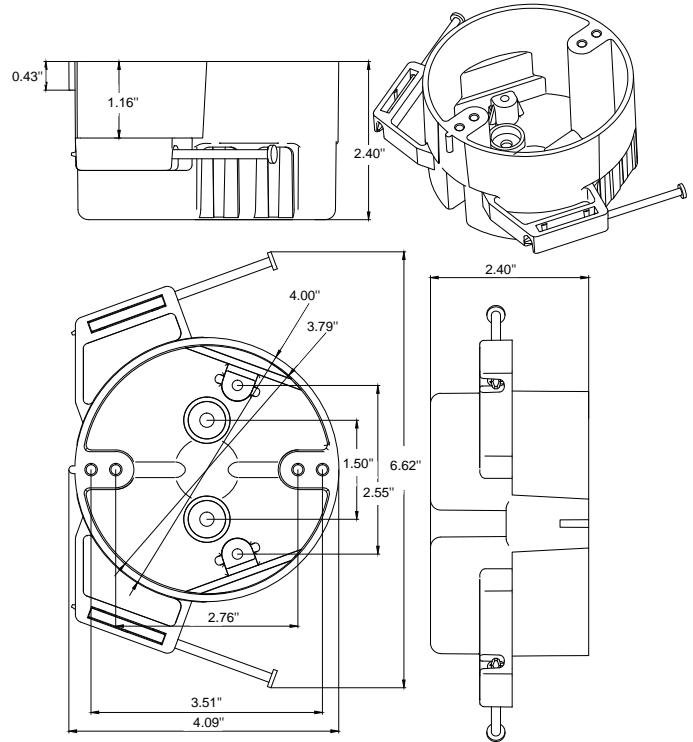
- Knockouts on fiberglass boxes are complete, reducing drafts and easily removed with wire for no tools installation
- Device holes are pre-tapped and tapered for secure device installation and drastically reduce device pull out
- Fiberglass boxes feature factory installed Speed Klamps to provide a secure hold on installed wiring
- Mounted with angled mid nails
- Offset gauge marks on the box give positive stop for the proper wall thickness
- Leveling ribs position the face of the box parallel to the wall surface
- High Strength Fiberglass Reinforced Polyester Material
- Non-distorting in high heat, impact resistant in cold temps
- Machine tapped device holes for faster installation
- ETL Listed

Packing:

30 PCS / CTN (2.09 CUFT)



FIBER GLASS OUTLET BOX



Round

Part No.	Cubic Capacity	Description	Size L x W x D
LIC-F4/0	22.5 cu in	This 4 in. Round 22.5 cu. in. Outlet Box is designed for New Work applications. Also it's easily mounted with nail on - angled mid nails which are pre set on the box. This premium box features fiberglass construction, is ETL listed, and carries a 2-hour fire rating.	4 Dia x 2-7/16"

Fire Resistance Classification in Wall Assemblies 2-Hours or less

Shall be separated by a horizontal distance of not less than 3 inches

Fire Resistance Classification in Floor-Ceiling Assemblies 2-Hours or Less

Distance between boxes in adjacent cavities may be reduced to 5-1/2 inches

Features & Benefits

- Knockouts on fiberglass boxes are complete, reducing drafts and easily removed with wire for no tools installation
- Device holes are pre-tapped and tapered for secure device installation and drastically reduce device pull out
- Fiberglass boxes feature factory installed Speed Klamps to provide a secure hold on installed wiring
- Mounted with angled mid nails
- Offset gauge marks on the box give positive stop for the proper wall thickness
- Leveling ribs position the face of the box parallel to the wall surface
- High Strength Fiberglass Reinforced Polyester Material
- Non-distorting in high heat, impact resistant in cold temps
- Machine tapped device holes for faster installation
- ETL Listed

Packing:

60 PCS / CTN (2.0 CUFT)